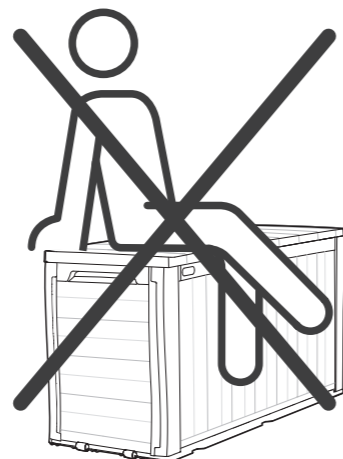
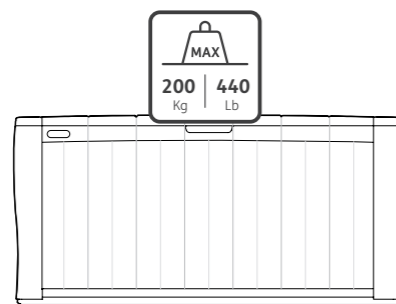
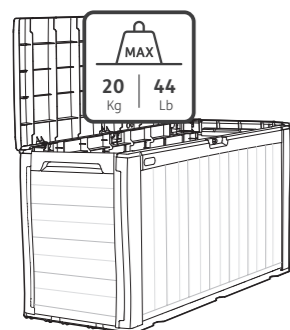
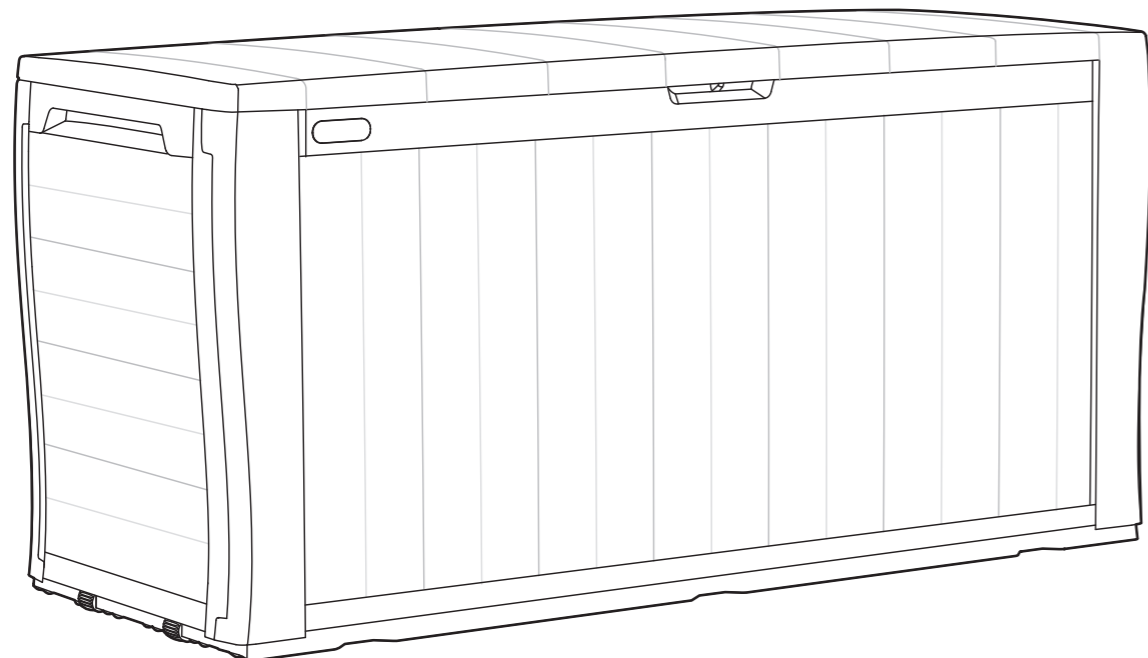


270L | 71 US GAL

EN ASSEMBLY INSTRUCTIONS FR INSTRUCTIONS DE MONTAGE GE MONTAGEANLEITUNG NL MONTAGEVOORSCHRIFT
ES INSTRUCCIONES DE MONTAJE IT ISTRUZIONI DI MONTAGGIO PT INSTRUÇÕES DE MONTAGEM GR ΟΔΗΓΙΕΣ ΣΥΝΑΡΜΟΛΟΓΗΣΗΣ



A-2436 596942

- EN IMPORTANT:** Please contact Customer Service if you have any problems or discover any missing parts.
- FR IMPORTANT:** Veuillez contacter notre Service Clientèle pour tout problème ou pièce manquante.
- GE WICHTIG:** Bitte wenden Sie sich an unseren Kundenservice, falls Sie irgendwelche Probleme haben oder feststellen, daß Teile fehlen.
- ES IMPORTANTE:** Sírvase contactar con nuestro Servicio al Cliente por cualquier problema, o pieza que pudiera faltar.
- IT IMPORTANTE:** Si prega di contattare il Servizio Clienti per eventuali necessità.
- NL BELANGRIJK:** Neemt u in geval van problemen of missende onderdelen a.u.b. contact op met de klantenservice.
- PT IMPORTANTE:** favor entrar em contato com o Serviço ao Cliente se houver problemas ou se faltar peças.
- GR ΣΗΜΑΝΤΙΚΟ:** παρακαλώ επικοινωνήστε με την Εξυπηρέτηση Πελατών αν αντιμετωπίσετε κάποιο πρόβλημα ή αν λείπει μέρος από την συσκευασία.


USA & Canada:

1-(888)-374-4262

UK: Tel: 0121-5060008,

Fax: 0121-4220808

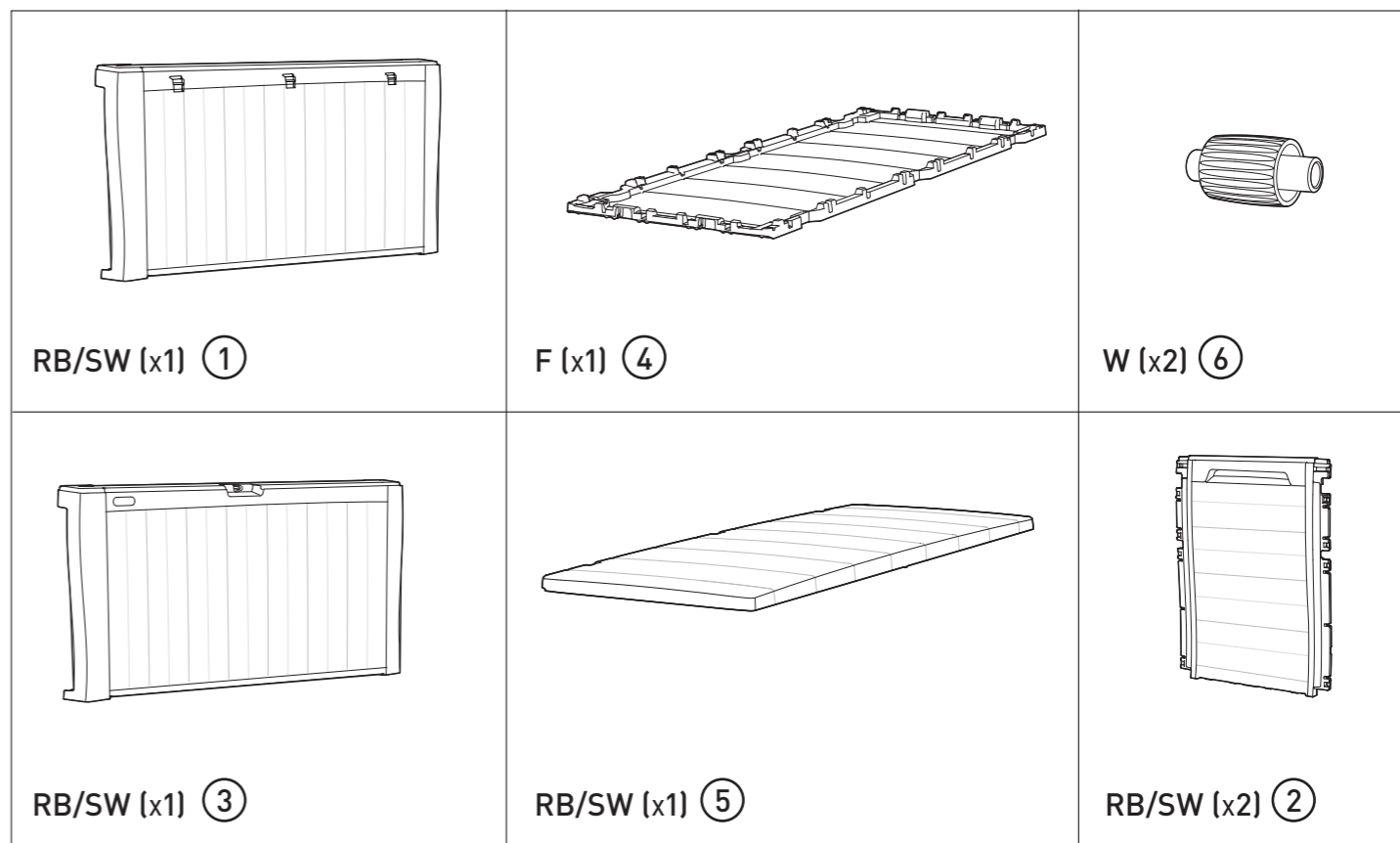
Other European Countries:

Tel: +31-(0)-161-22-8300

WWW.KETER.COM

EN ASSEMBLY PARTS FR PIÈCES À ASSEMBLER GE MONTAGETEILE NL MONTAGESTUKKEN ES PIEZAS DE ENSAMBLE
IT PARTI DA MONTARE PT PEÇAS DE MONTAGEM GR ΑΝΤΑΛΛΑΚΤΙΚΑ

EN Please check all parts and components to ensure that there are no damages or missing items BEFORE starting the construction of the product FR Assurez-vous que les parties et les éléments ne sont pas endommagés et qu'aucun ne manque AVANT de commencer le montage de ce produit GE Bitte überprüfen Sie alle Einzelteile und jegliches Zubehör, um sicherzugehen, dass keine Teile beschädigt sind oder fehlen, BEVOR Sie mit der Montage des Produkts beginnen NL Controleer alle onderdelen en componenten om te verzekeren dat er geen schade of ontbrekende items zijn VOOR dat u het product in elkaar begint te zetten ES ANTES de comenzar la construcción del producto, compruebe todas las partes y componentes para asegurarse de que no hay daños y de que no falta ningún elemento IT Si prega di controllare tutti i pezzi ed i componenti per accertarsi che non ci siano danni o elementi mancanti PRIMA di montare il prodotto PT Por favor, verifique todas as peças e componentes para garantir que não há danos ou itens incompletos ANTES de iniciar a construção do produto GR Ελέγξτε όλα τα μέρη και εξαρτήματα για να βεβαιωθείτε ότι δεν υπάρχουν φθορές ή λείπουν τεμάχια ΠΡΟΤΟΥ ξεκινήσετε την κατασκευή του προϊόντος.


Outstore Warranty

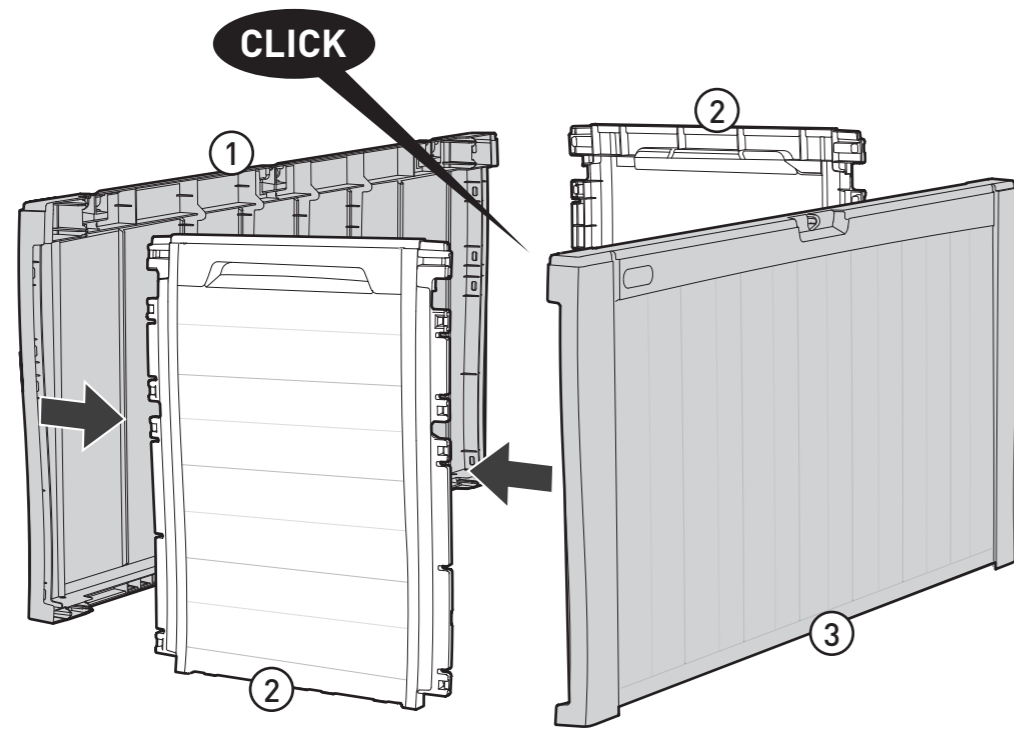
The Outstore warranty covers replacement of any product or part which fails due to a structural defect or faulty workmanship, or which fails due to fading of color, for a 2-year period from the initial date of purchase.

To claim warranty, customer must contact The Outstore, PO Box 475, Morayfield QLD 4506, Phone: 1300 688 786 or Email: parts@outstore.com.au with a dated proof of purchase and be prepared to provide photographs and item numbers of damaged parts on request.

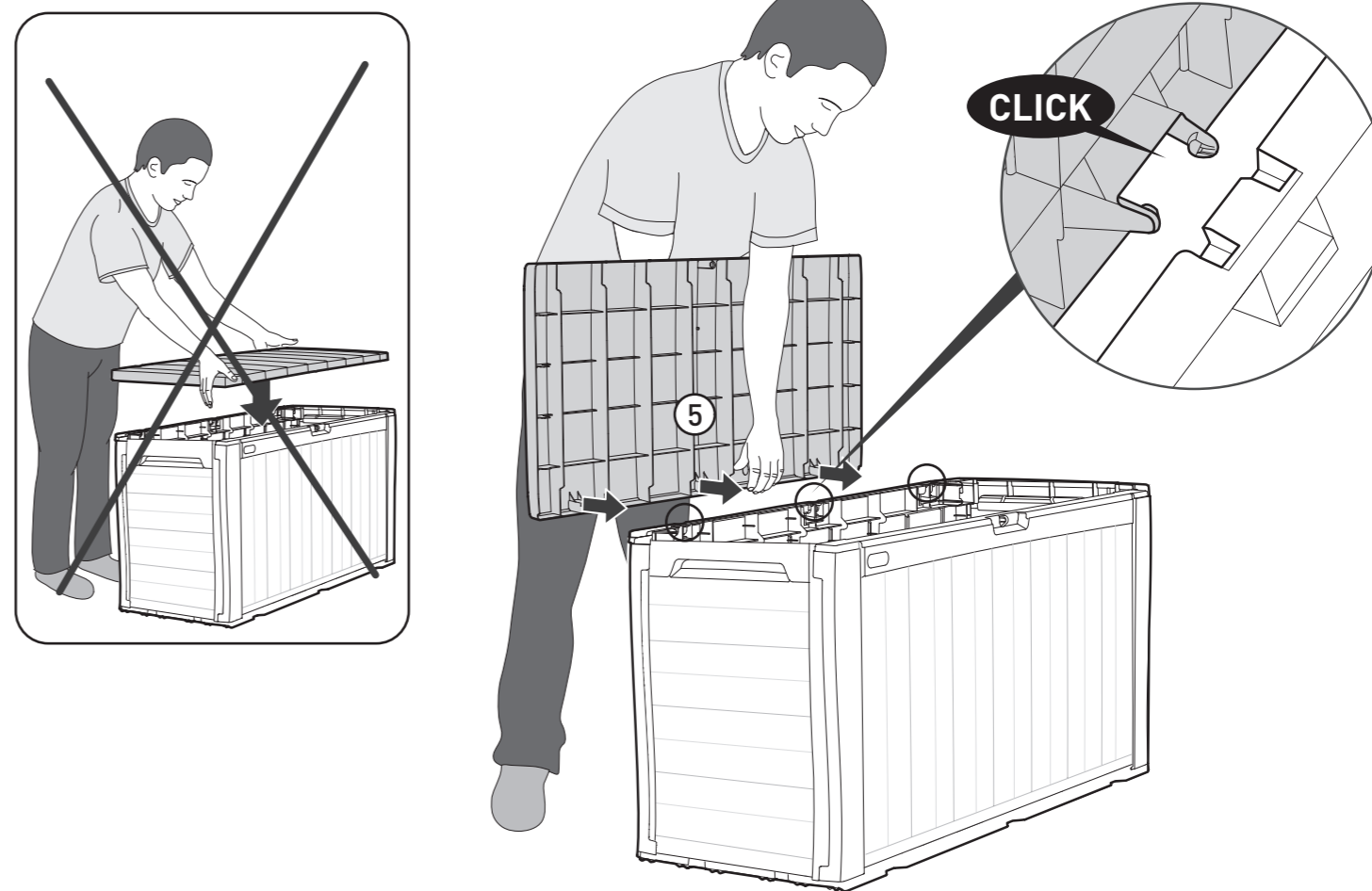
Damage caused by: use of force, incorrect handling, inappropriate use, neglect, commercial use or use other than for personal or household purposes; damages resulting from alteration, painting, or assembly not in accordance with the User's Manual; and damages caused as a result of storage above the capacity load of the product, are excluded from this warranty.

Our goods come with guarantees that cannot be excluded under the Australian Consumer Law. You are entitled to a replacement or refund for a major failure and for compensation for any other reasonably foreseeable loss or damage. You are also entitled to have the goods repaired or replaced if the goods fail to be of acceptable quality and the failure does not amount to a major failure.

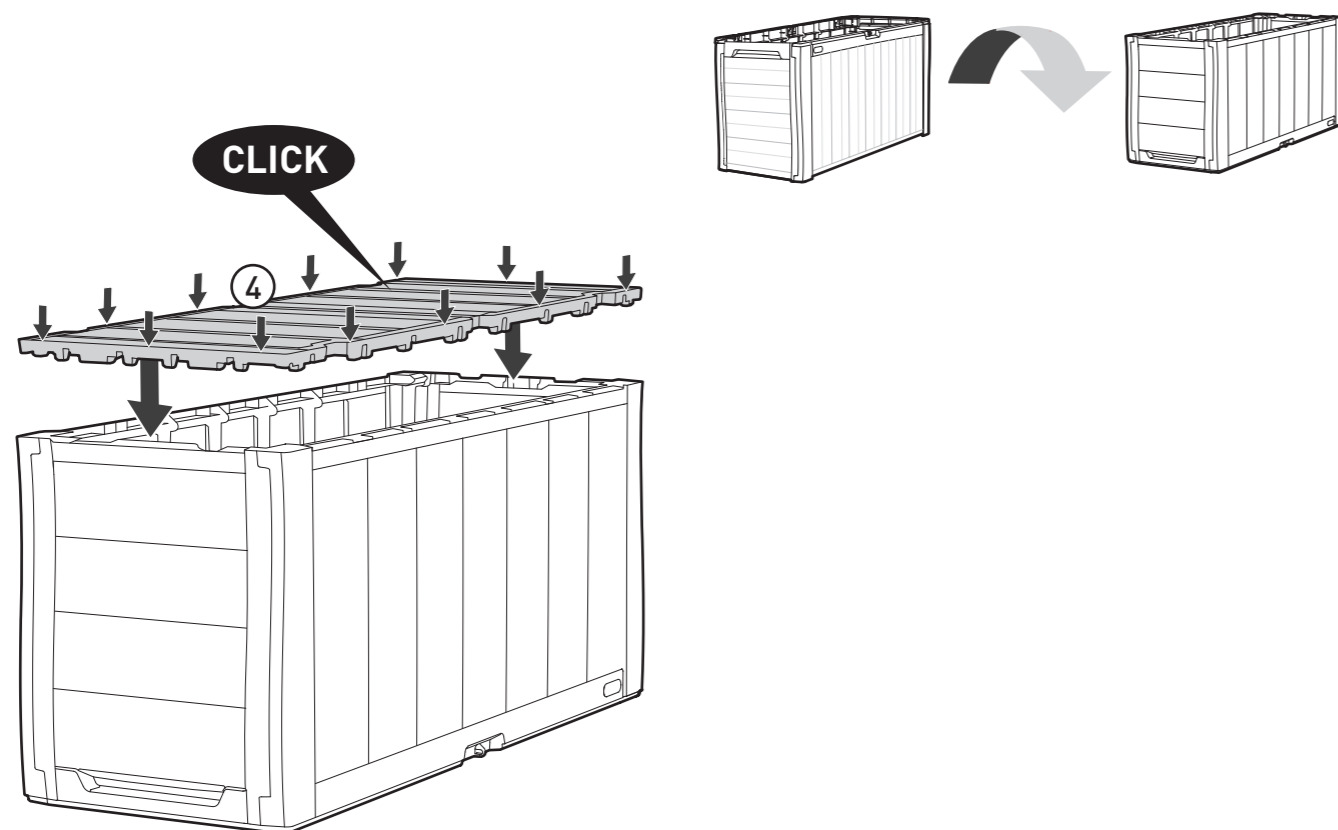
- 1 RB/SW (x1) | RB/SW (x1) | RB/SW (x2)



- 3 RB/SW (x1)



- 2 F (x1)



- 4 W (x2)

